



FES10 Electric Strike Installation Instructions

FES10 Non-monitored Electric Strike

Door Latch Position

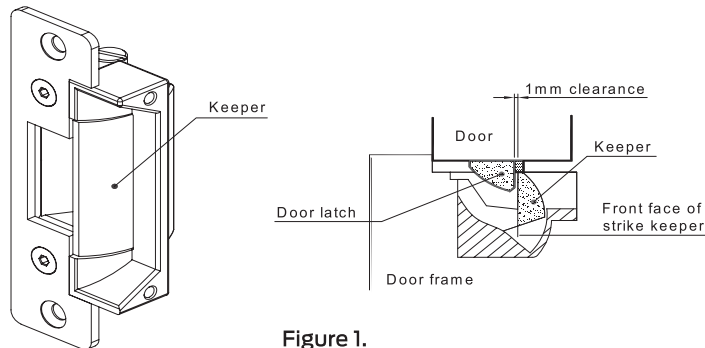


Figure 1.

As drawn above, there should be 1mm gap between the door latch and the front face of strike keeper to prevent the door from exerting pressure on the keeper when the door is closed.

Mounting steps for FES10

1. For aluminum or metal door frame, refer to Figure 2 (brackets are supplied for assembly),
For timber door frame refer to Figure 3. Mark and drill the hole sizes as indicated on Figure 2 and Figure 3.
2. Make sure electrical connections are followed correctly.
3. When the door is closed, ensure there is no pressure on the front face of strike keeper.
4. When all the above checks are completed, secure the strike with supplied screws and recheck operation.

Power input 12VDC or 24VDC wirings

Power Input	12 VDC – current 200 mA Note: Select from pre-wired assembly to use plugs. There is no polarity on power input.	24 VDC – current 100 mA
Wire output	12 Volt plug: RED ———— BLUE ———— YELLOW ———— BLACK ———— 12 VDC/ 200 mA	24 Volt plug: RED ———— BLUE ———— YELLOW ———— BLACK ———— 24 VDC/ 100 mA

Install on metal or aluminum door frame

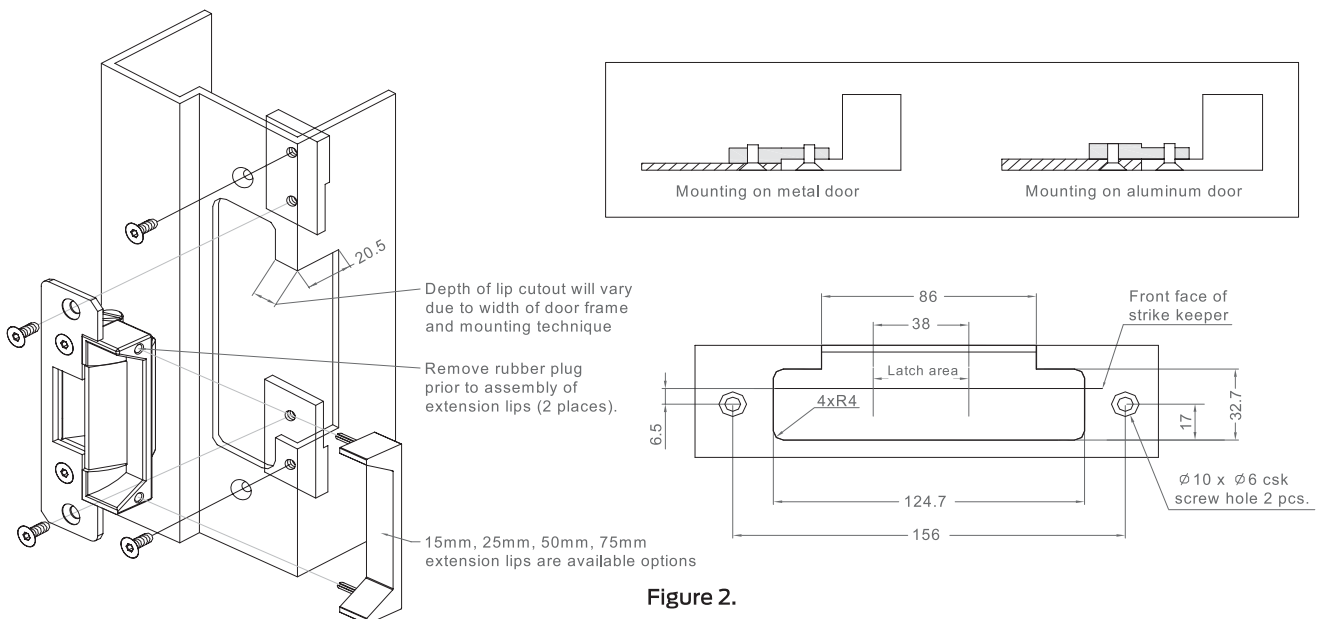


Figure 2.

Install on wooden door frame

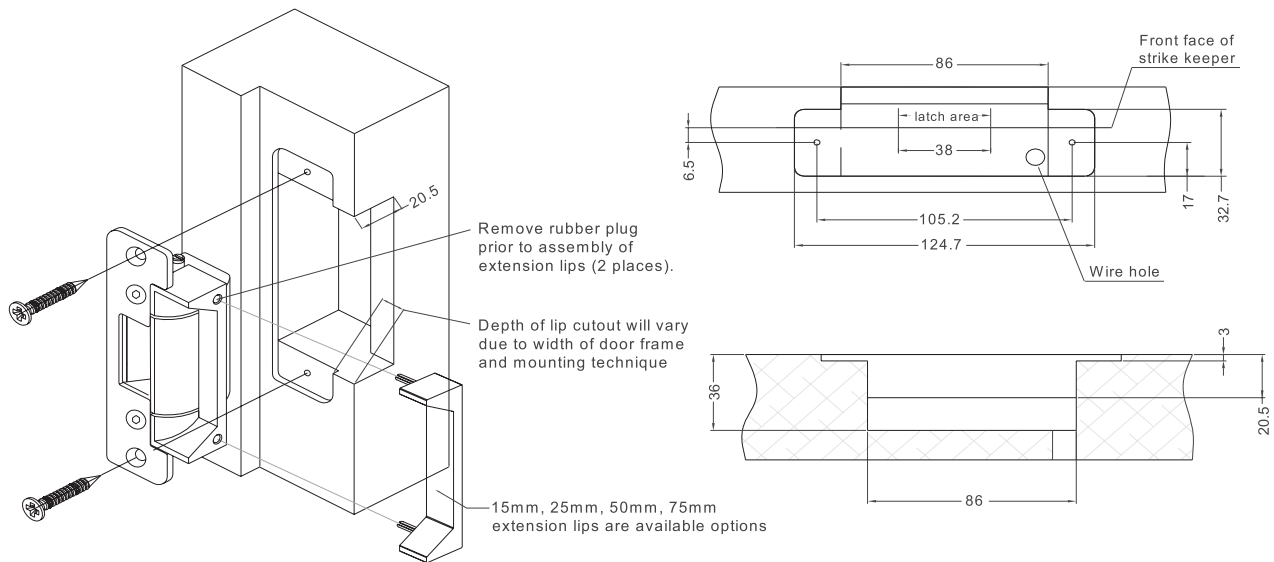
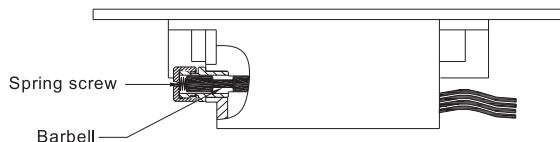


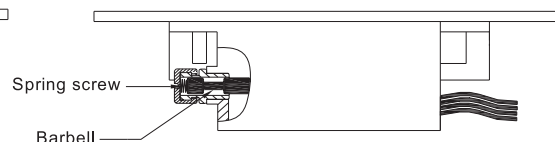
Figure 3.

Conversion: Power to Lock (PTL) <=> Power to Open (PTO)



POWER TO OPEN

Figure 4A



POWER TO LOCK

Figure 4B

WARNING:

Do not attempt to swivel the keeper while changing the function, this will damage the barbell mechanism.

Procedure to convert Fail Secure (PTO) (Figure 4A) to Fail Safe (PTL) (Figure 4B):

- Step 1: Remove the spring screw from the end part of the strike body.
- Step 2: Remove the Barbell to reverse in position with long part inside and short part out.
- Step 3: Replace the spring screw.

Procedures to convert Fail Safe (PTL) (Figure 4B) to Fail Secure (PTO) (Figure 4A):

- Step 1: Remove the spring screw from the end part of the strike body.
- Step 2: Remove the Barbell to reverse in position with short part inside and long part out.
- Step 3: Replace the spring screw.